

Klein+

A door to the future

“Klein+ is our response to a new environment. It’s the beginning of new chapter marked by new challenges and the search for new solutions.”

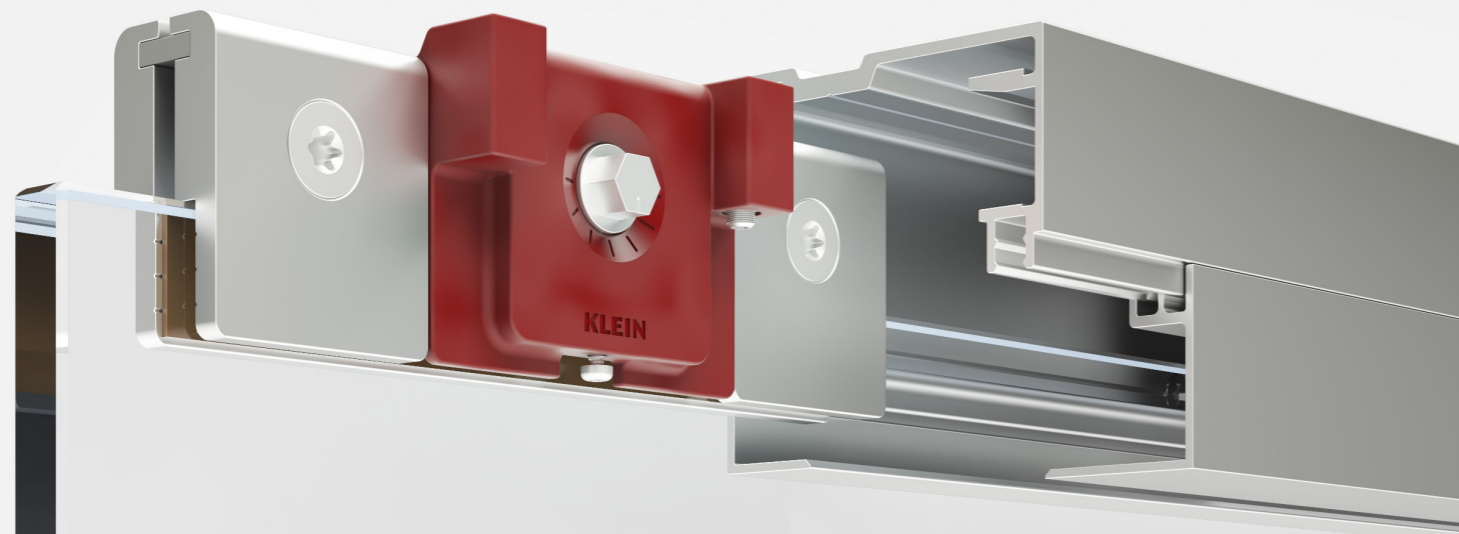
Times change, but passion remains. Passion for sliding door systems. Passion for architectural solutions. And knowledge grows.

At Klein, we glide from the past into the future, and from the future back to the past. Firmly, balanced, and assuredly. Delicately. Guided by four generations of experience, always innovating.

Now, the huge international jump made by our brand has pushed us to go even further. Redesigning our classic products and developing the classics of tomorrow. Renewing our commitment to architecture and interior design. To continue being a leader in the industry.

Klein+ is the result of an ambitious project centered on a profound overhaul. To maintain the excellence of an 85-year history. It’s the beginning of new chapter with new challenges, which we will answer with new solutions.

Heart



Unforgettable given its red Klein color: the new generation Klein+ clamp. Fastening technology capable of holding up to 100 kg, compatible with any type of glass.

The heart of our door systems. The vital organ that ensures the fluid circulation of all components. The core that centralizes a number of basic features. The new design of the central piece:

- + Facilitates access to adjustment and regulation systems, thus optimizing the processes of installation and maintenance.
- + Integrates vertical regulation.
- + Includes an anti-dismounting system.
- + Allows for the activation of our new braking systems.
- + Noticeably minimizes the tightening torque, necessary to hold the glass in place.
- + Ensures optimal sliding of doors with new integrated ball bearings.
- + Reduces the dimensions of the structure and the length of exposed tracks.

Pro-installation

When designing our systems, we not only focus on their future installation, but we put ourselves in the shoes of the installer. To adapt our products to their needs and make their job easier.

Prior to starting on the project, we provide instruction manuals and installation kits designed for a more intuitive understanding of the process.

And we focus on projects.

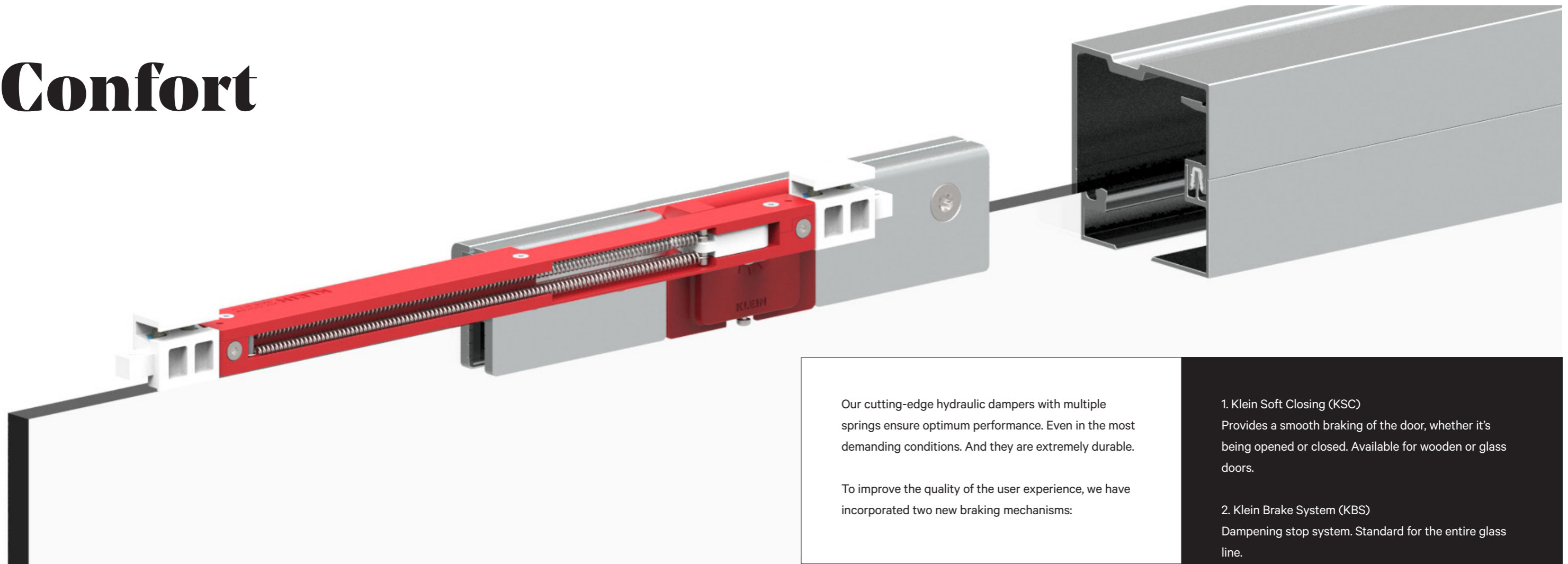
Since we are very familiar with the implementation processes, we can incorporate our ideas into them, adapting to each phase. Klein+ allows you to:

- + Position profiles during the first phase of the project.
- + Install ball bearing systems and glass panes in later phases.

Thus, in addition to reducing the time required for implementation, we have minimized the risk of flawed installations and guaranteed the cleanliness of all system components.



Confort



Our cutting-edge hydraulic dampers with multiple springs ensure optimum performance. Even in the most demanding conditions. And they are extremely durable.

To improve the quality of the user experience, we have incorporated two new braking mechanisms:

1. Klein Soft Closing (KSC)
Provides a smooth braking of the door, whether it's being opened or closed. Available for wooden or glass doors.

2. Klein Brake System (KBS)
Dampening stop system. Standard for the entire glass line.

With both mechanisms, the effort required to open the door is minimal.

The user's comfort continues to be the most important factor for our brand. It's what sets us apart. That's why all Klein+ systems come with mechanisms that ensure:

- + The user's safety.
- + The absence of bounce-back.
- + A soft closing.



KSC for the Klein+ wood line



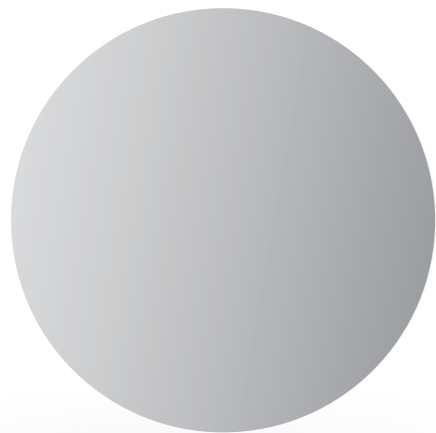
KBS for the Klein+ glass line



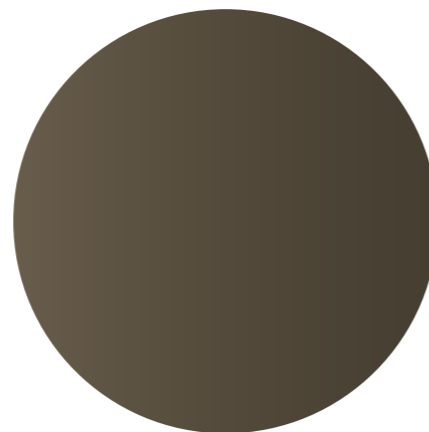
KSC for the Klein+ glass line

Choose your own style

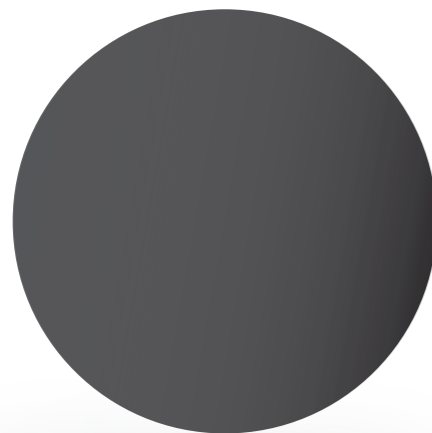
Glossy Silver



Glossy Bronze



Glossy Black



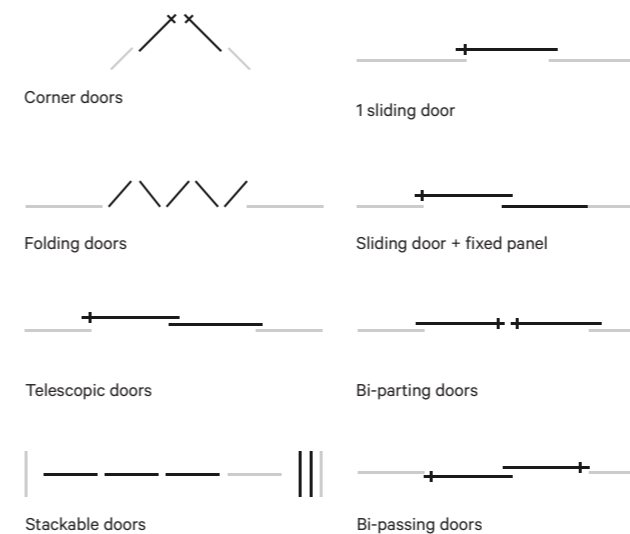
“You can choose the color that is best tailored to the project.”

Every style is unique. And Klein+ is capable of adapting to each and every one.

Classic or modern. Glass or wood. Sliding doors or panels. Recessed or exposed. Etc.

Because, whatever the style, our systems can combine with it perfectly. The upper part hidden away in a drop ceiling. With profiles that minimize dimensions and openings. Thus, the transparency of the glass or the warmth of the wood remain intact.

The options for customization don't end here. Now, you can also choose the color of your product. Respect for creation and uniqueness.



Support+

We are increasing our commitment to teamwork. Sharing knowledge and experience with professionals.

We are making more items available to you through a new concept: Consulting from Design to Installation.

From the origin of the idea to its implementation, at each stage of the project. Assisting you and providing the necessary tools for appropriate product selection, the best design and a correct installation.

We want to provoke and inspire with an extensive gallery of images at www.Klein-Europe.com, where we also have a Product Finder that will help you find the best solution based on the demands of each project. And, to make things even easier, our BIM files and all technical materials are freely accessible.



Unikglass+ Rollglass+ Lite+ Lite Glass+

The latest innovations. The most advanced technology.
The most ergonomic design. Elements for the easiest
installation. The greatest level of user enjoyment. All
together at Klein+.

When design highlights what is important, and hides
everything else.

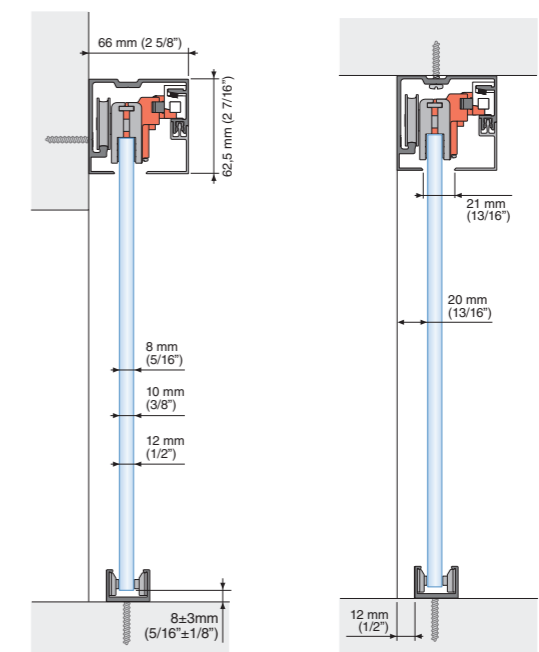


Unikglass+

Unikglass+: a discrete profile guides a single mobile pane made of 8, 10 or 12 mm glass, weighing up to 100 kg.

Door braking options:

- + KSC, Klein Soft Closing Smooth, controlled closing. Supports sheets measuring over 80 cm.
- + KBS+, Klein Brake System Stop with damper brake. Standard for the entire line.



Wall Installation

Ceiling Installation

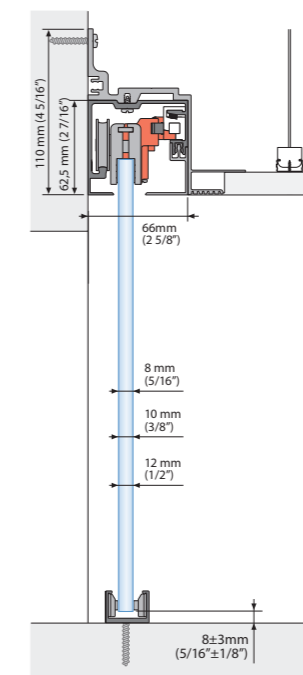
Unikglass+



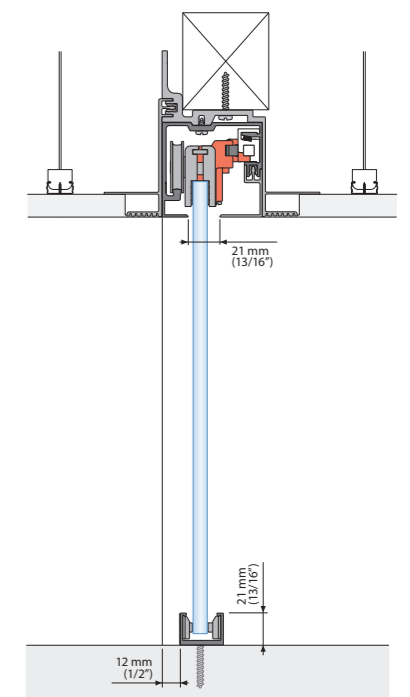
Unikglass+ has a special profile for drop ceilings, with hidden flaps for maximum architectural integration.

Height adjustment of +/- 3 mm.

Fast and intuitive assembly for efficient implementation.



Drop Ceiling Installation
Lintel below the Drop Ceiling



Drop Ceiling Installation
Without Lintel

Rollglass+



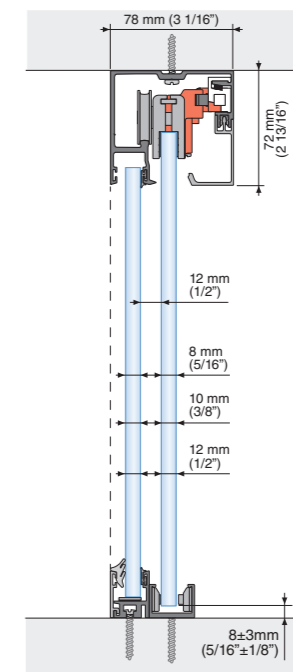
Rollglass+ creates a glass front that combines fixed and mobile glass panels on a single track.

8, 10 or 12 mm glass, weighing up to 100 kg per sliding pane.

Its very aesthetic lower part is designed for easy installation. Optional.

Door braking options:

- + + KSC, Klein Soft Closing Smooth, controlled closing. Supports sheets measuring over 80 cm.
- + + KBS+, + KBS+, Klein Brake System Stop with damper. Standard for the entire line.



Exposed profile

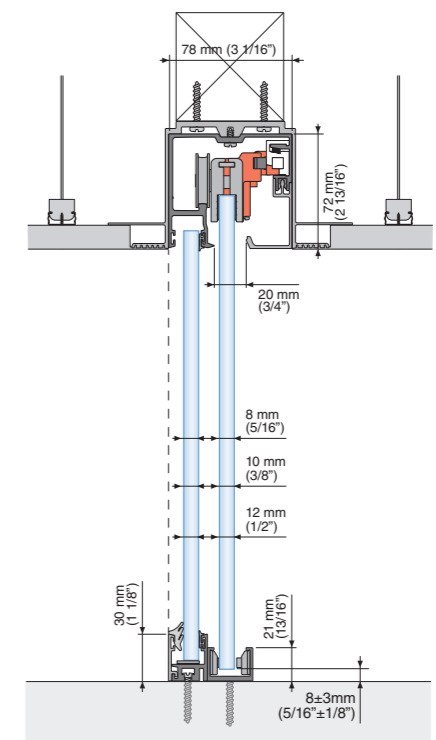
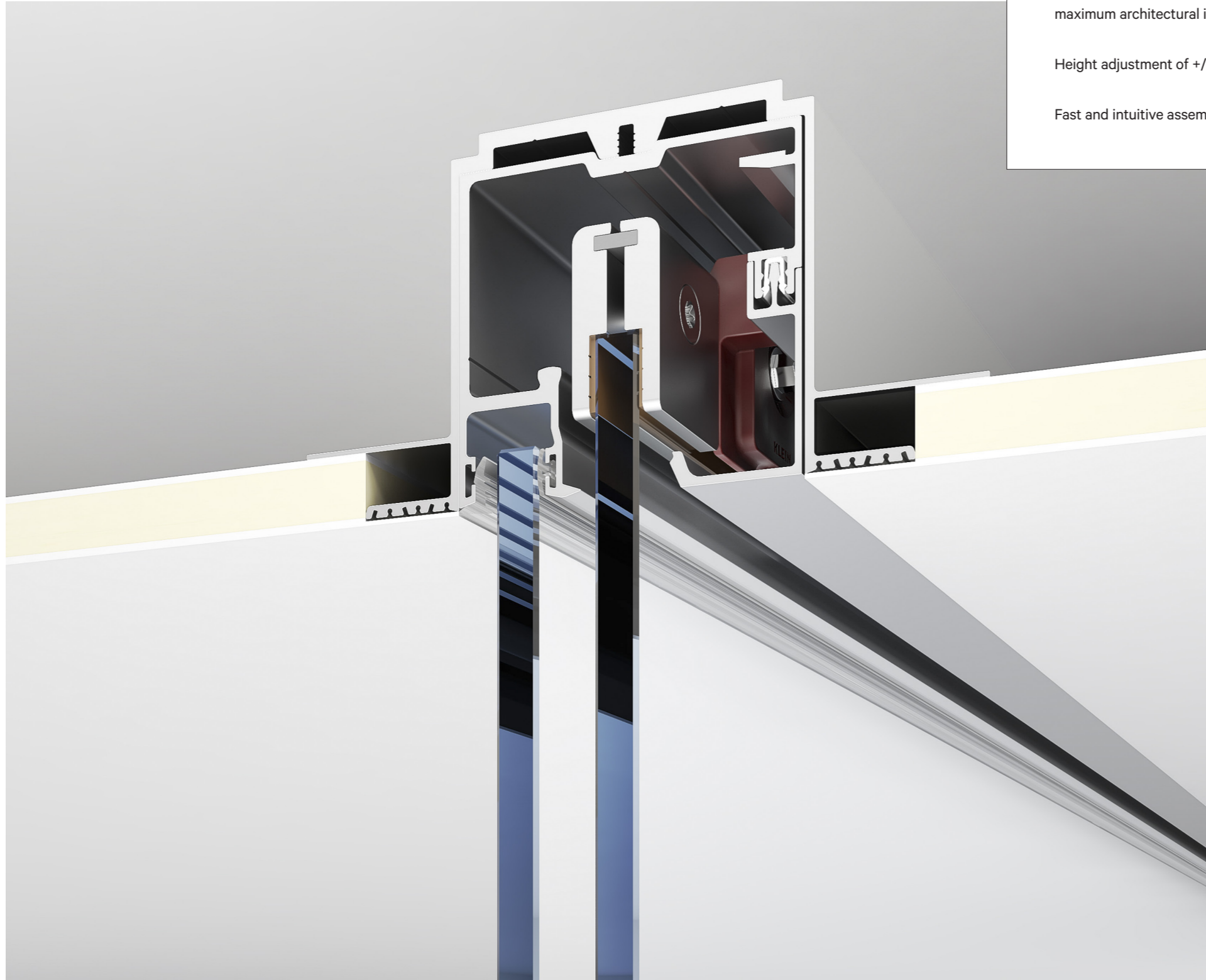
Rollglass+

Versatile and flexible, it allows for various combinations, down to the smallest detail.

Special profile for drop ceilings, with hidden flaps for maximum architectural integration.

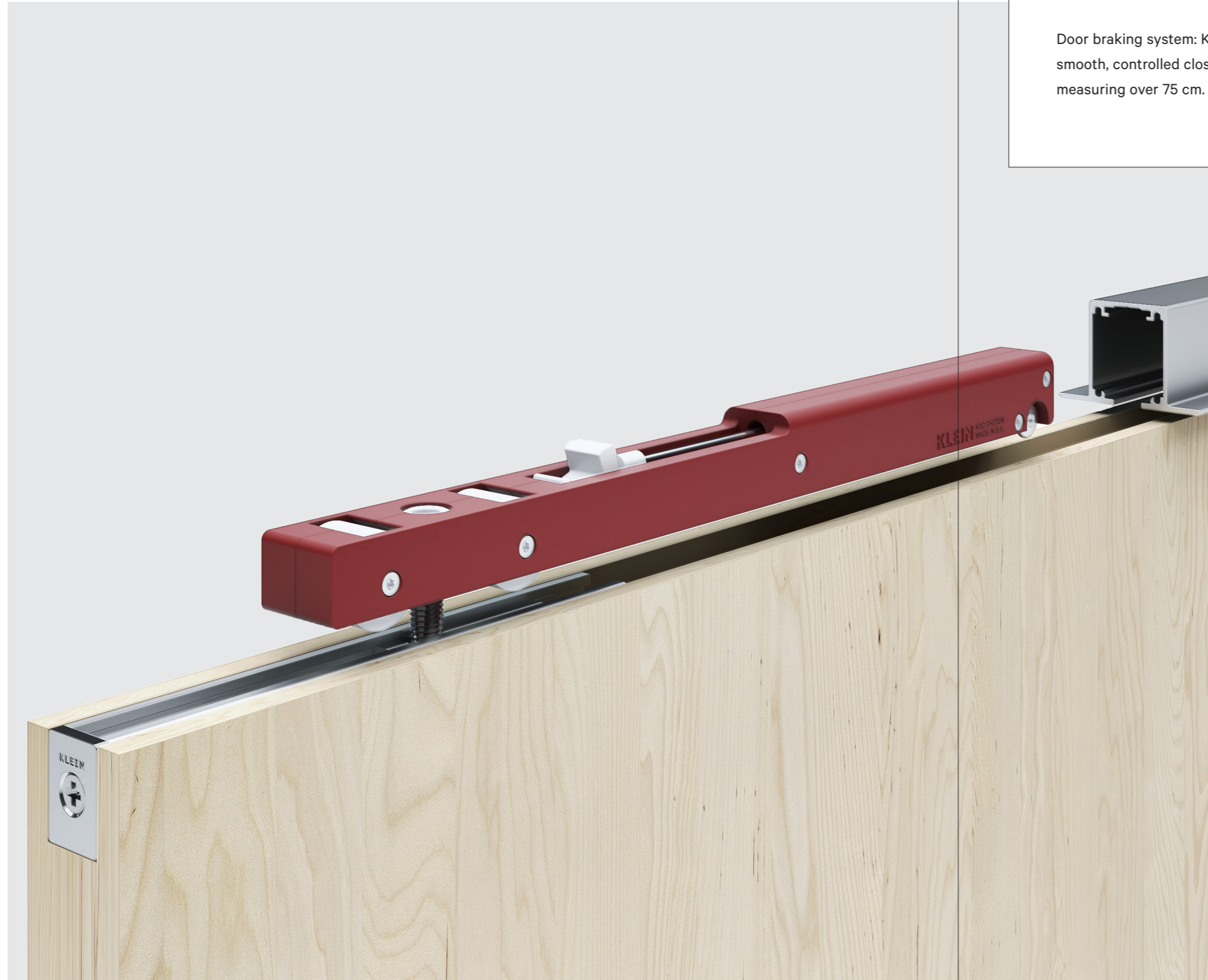
Height adjustment of +/- 3 mm.

Fast and intuitive assembly for efficient implementation.



Recessed profile

Lite+



Lite+ moves mobile partitions weighing up to 100 kg to create flexible spaces, without any floor tracks.

Door braking system: KSC, Klein Soft Closing, smooth, controlled closing. Supports sheets measuring over 75 cm.

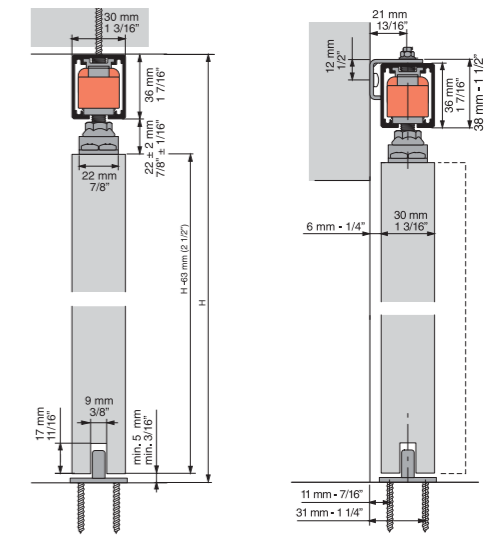


Lite+



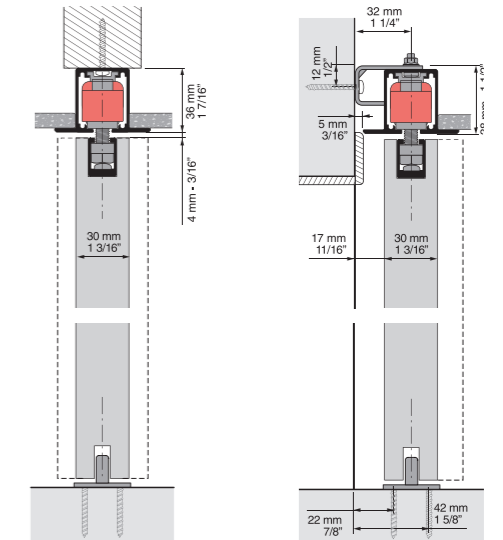
Lite Superior

Requires the installation of a decorative valance.



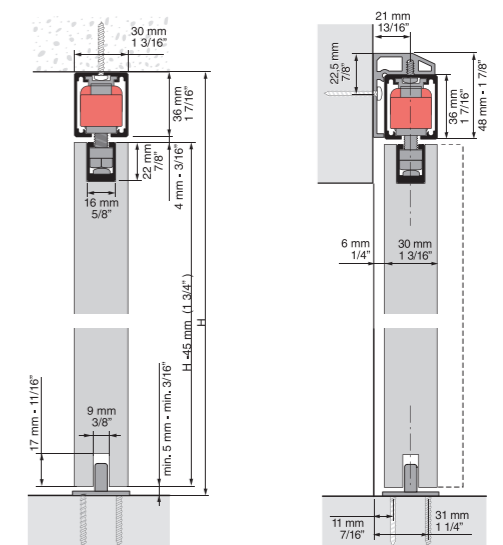
Lite Top

Facilitates drop ceiling applications, and its flaps contribute to clean contact.

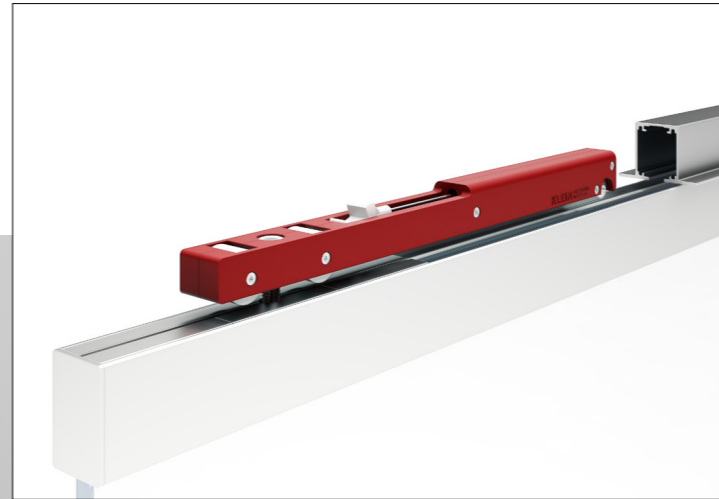


Lite Retrac

Compact set-up ideal for exposed profile installations.



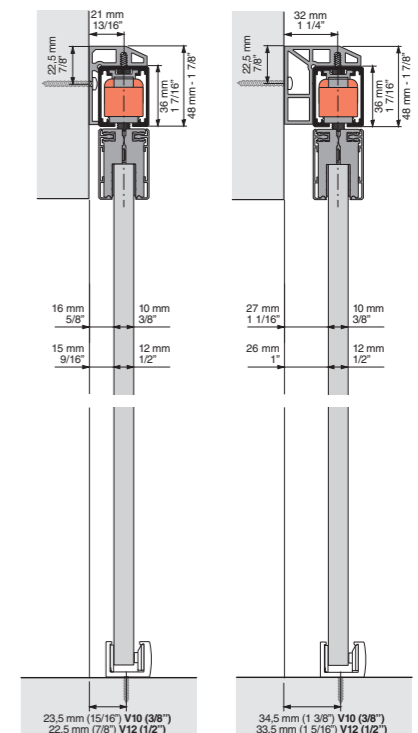
Lite Glass+



Lite Glass+ Liteglass+ is a system for a single sliding glass door, or for applications with bi-passing glass doors.

Ideal for applications involving wardrobes or glass access doors weighing up to 100 kg.

Compatible with the KSC Klein Soft Closing braking system, smooth, controlled closing. Supports sheets measuring over 75 cm.

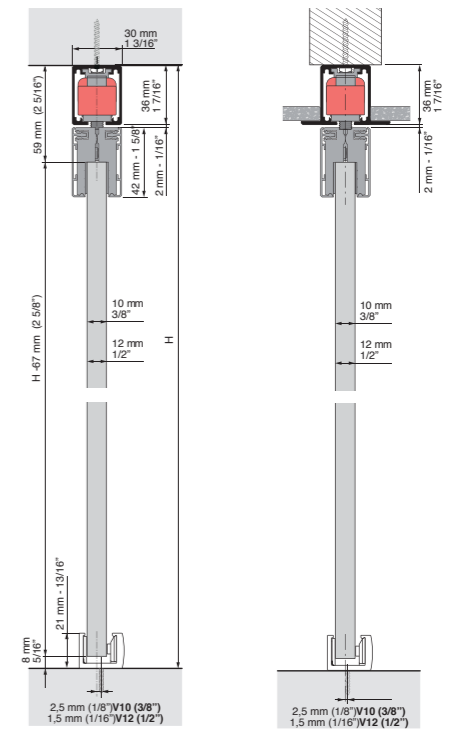
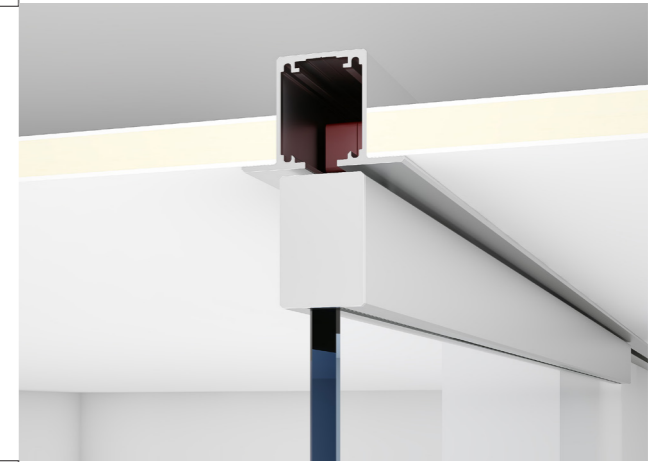


Lite Glass+

Lite Glass+ It can be installed into the wall or ceiling, with a recessed or exposed profile.

Fast and intuitive assembly for efficient implementation.

Silver, Black or Bronze anodized aluminum profiles and valances.



www.klein.es

Customer service

Spain:
(+34) 935 760 101
International:
(+34) 935 760 108

General support

Tel: (+34) 935 751 010
Fax: (+34) 935 760 109
E-mail: klein@klein.es

Klein Building

Polígono Industrial Can Cuyás
Ctra. N-150 a Sabadell Km.1
08110 Montcada i Reixac
Barcelona, Spain